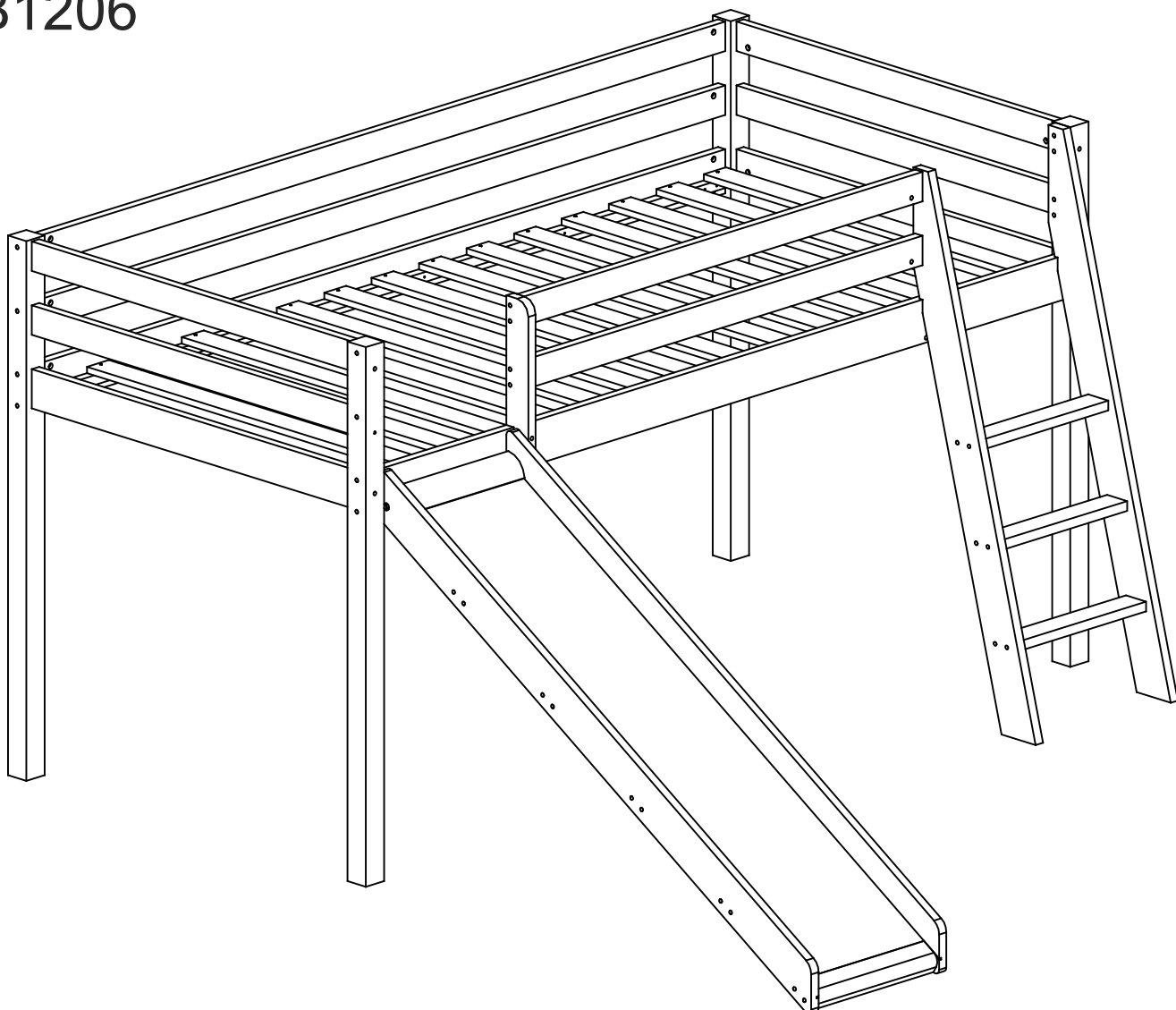
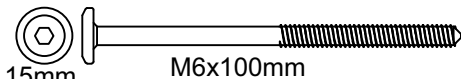

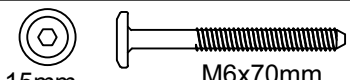
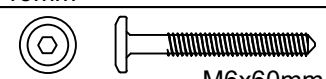



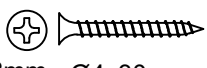
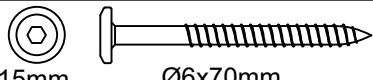

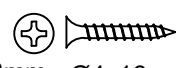



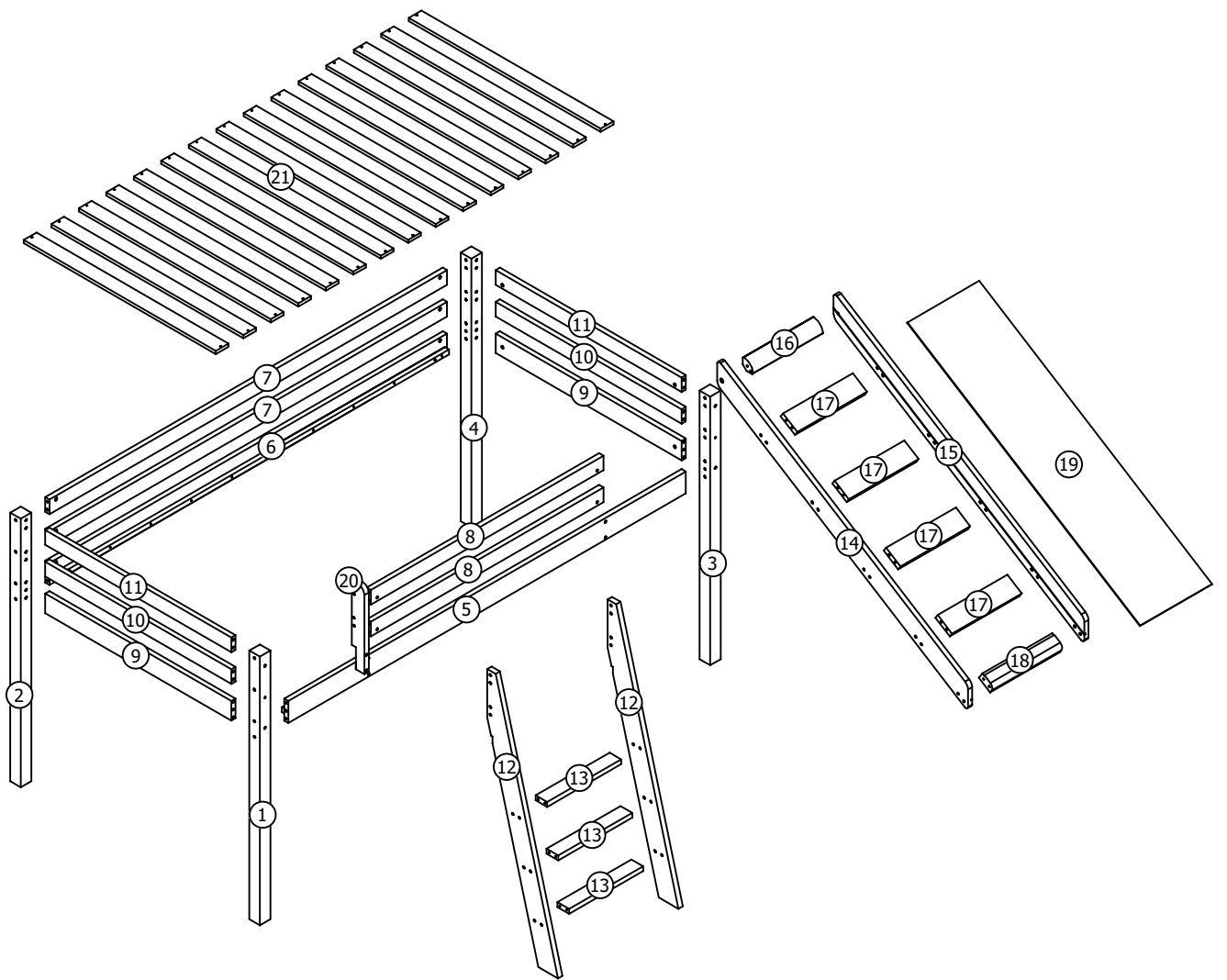
VERDI, 90x200

B1206

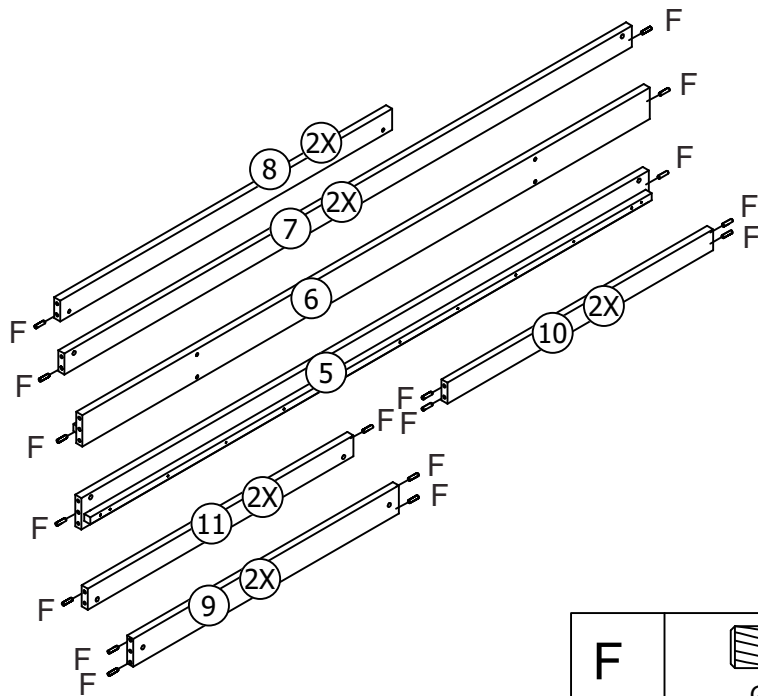



A	 15mm M6x100mm	20
B		24
C	 15mm M6x70mm	06
D	 15mm M6x60mm	02
E	 15mm M8x20mm	04
F	 Ø8x30mm	34

G		02
H	 8mm Ø4x30mm	40
I	 15mm Ø6x70mm	35
J		02
K	 8mm Ø4x16mm	04
L	 Ø8mm	16

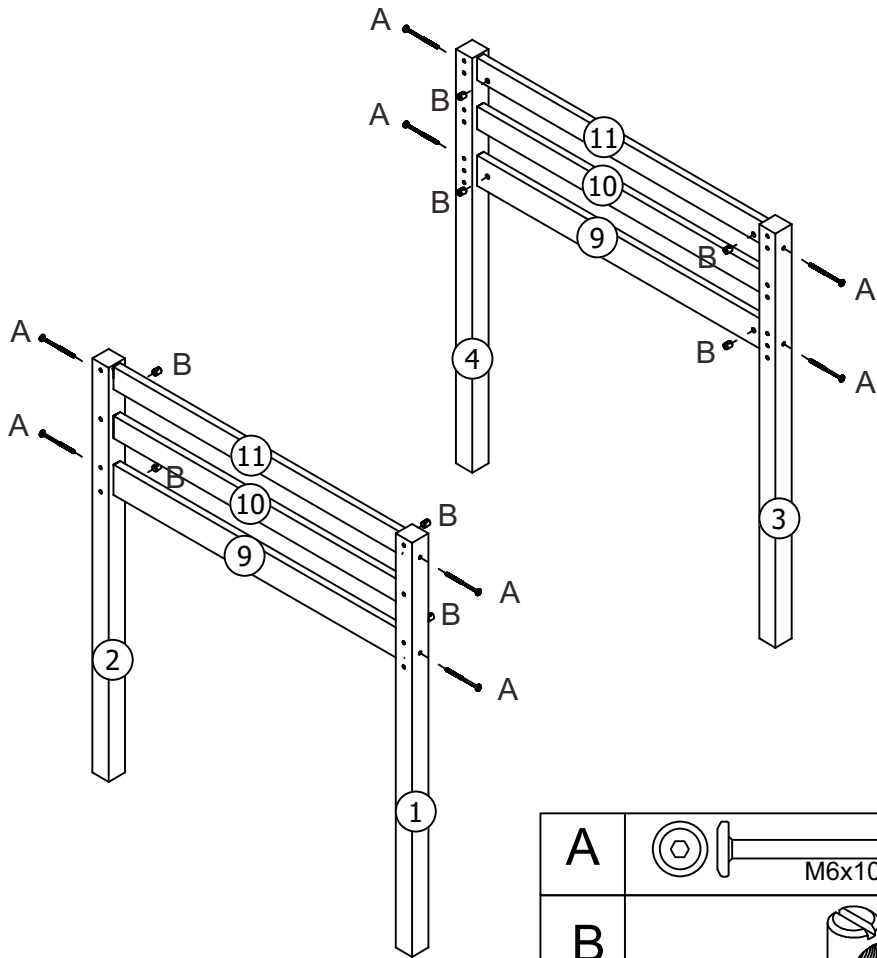




01



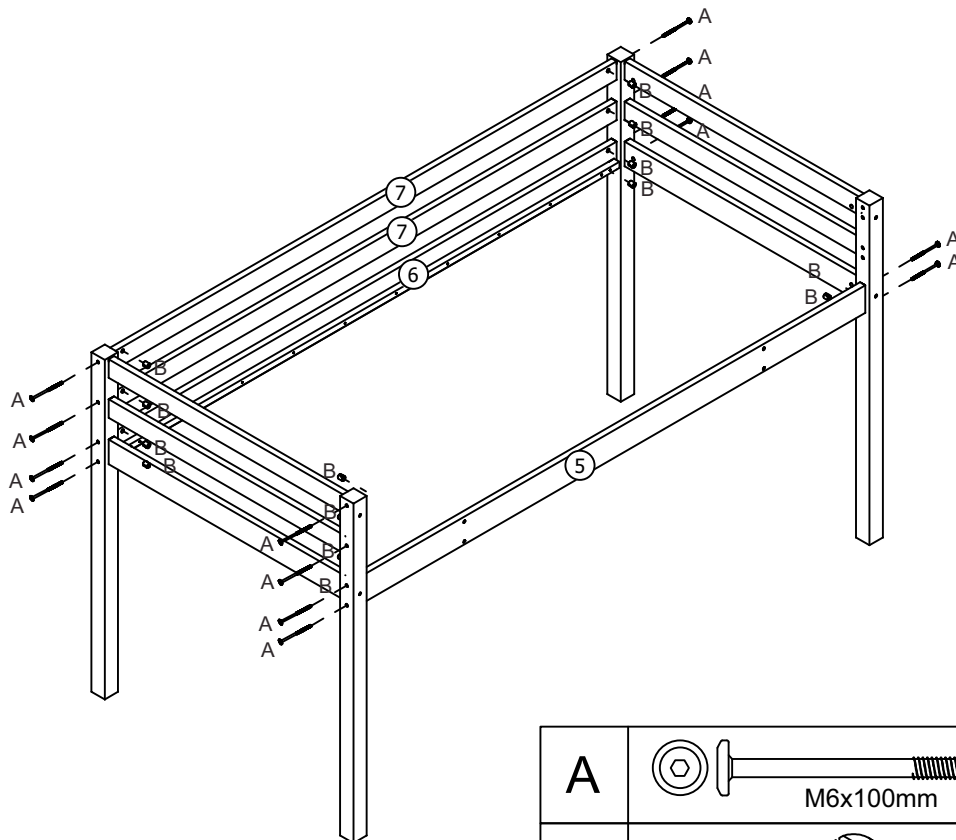
F	 Ø8x30mm	30
---	--	----



02



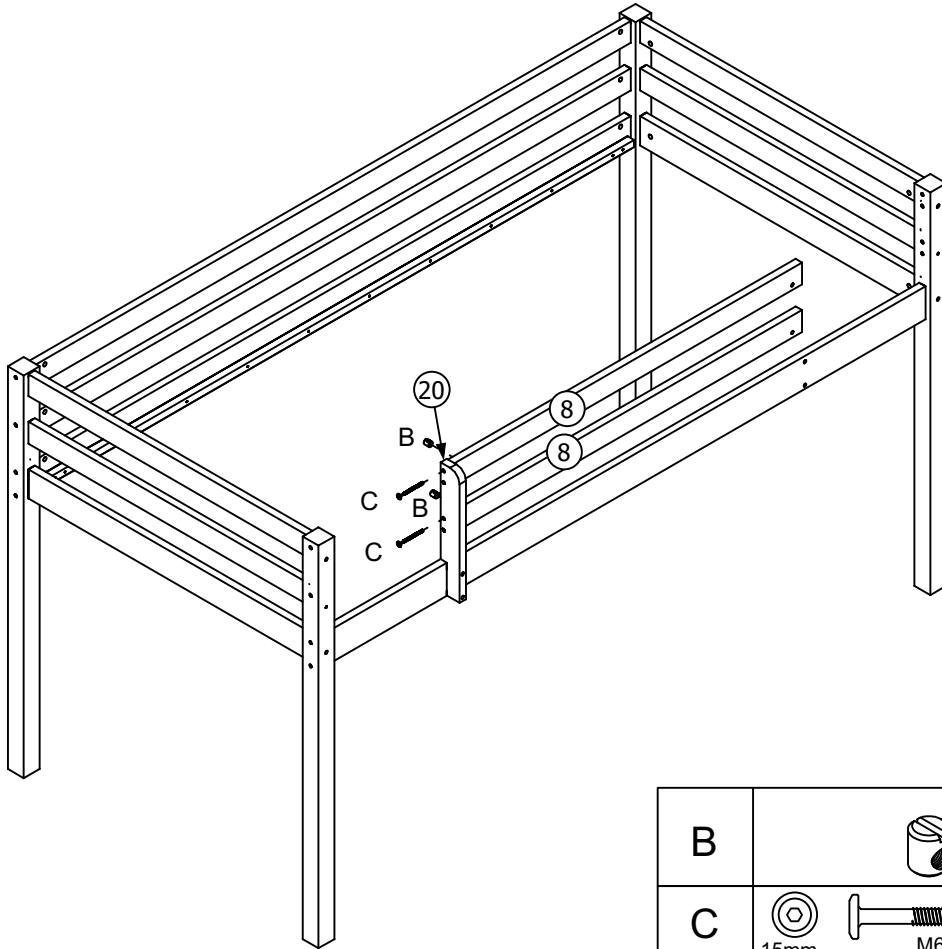
A	 M6x100mm	08
B		08



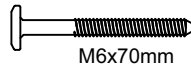
03



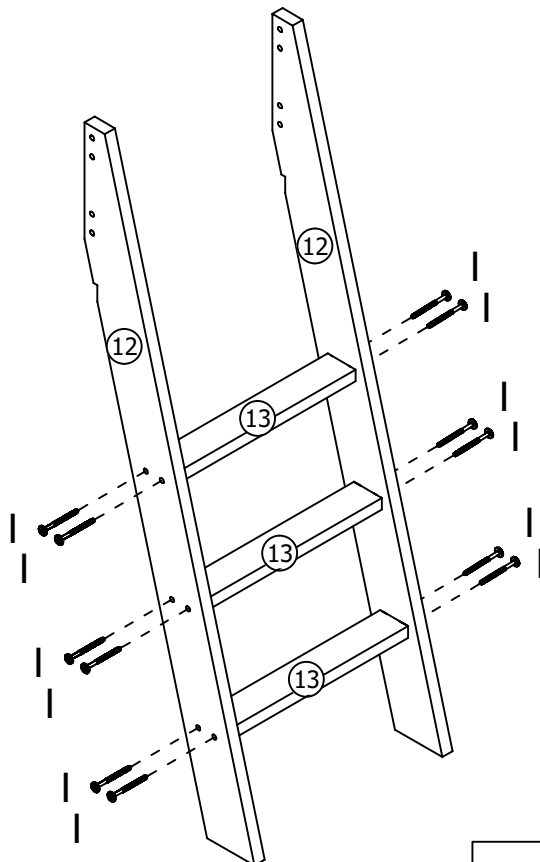
A	 M6x100mm	14
B		14



04



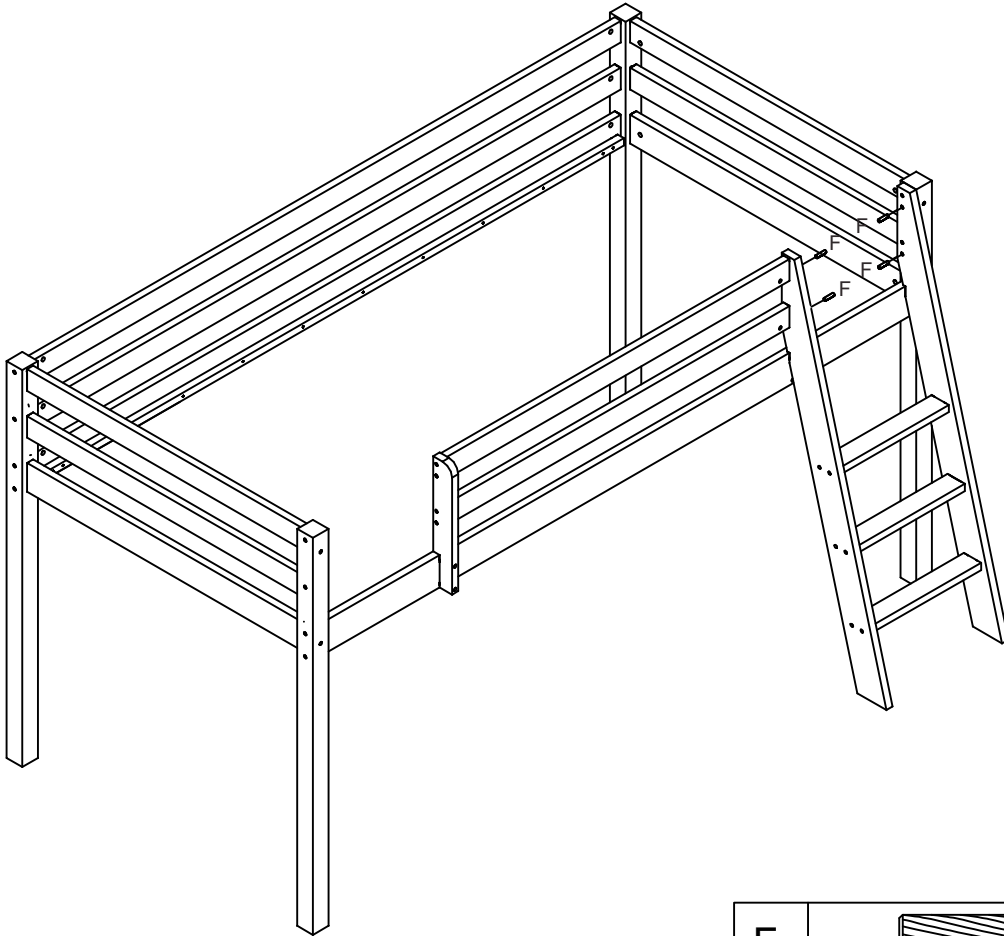
B		02
C	 15mm  M6x70mm	02


05



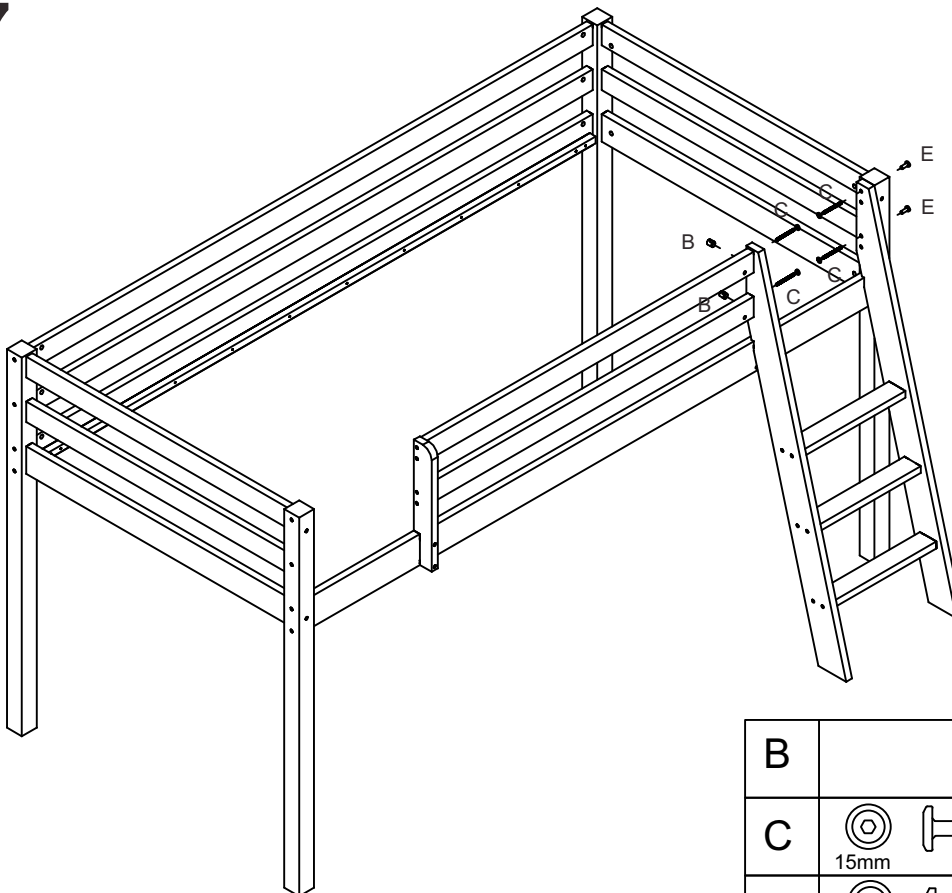
I	 15mm  Ø6x70mm	12
---	--	----



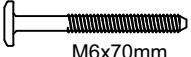

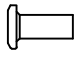
06



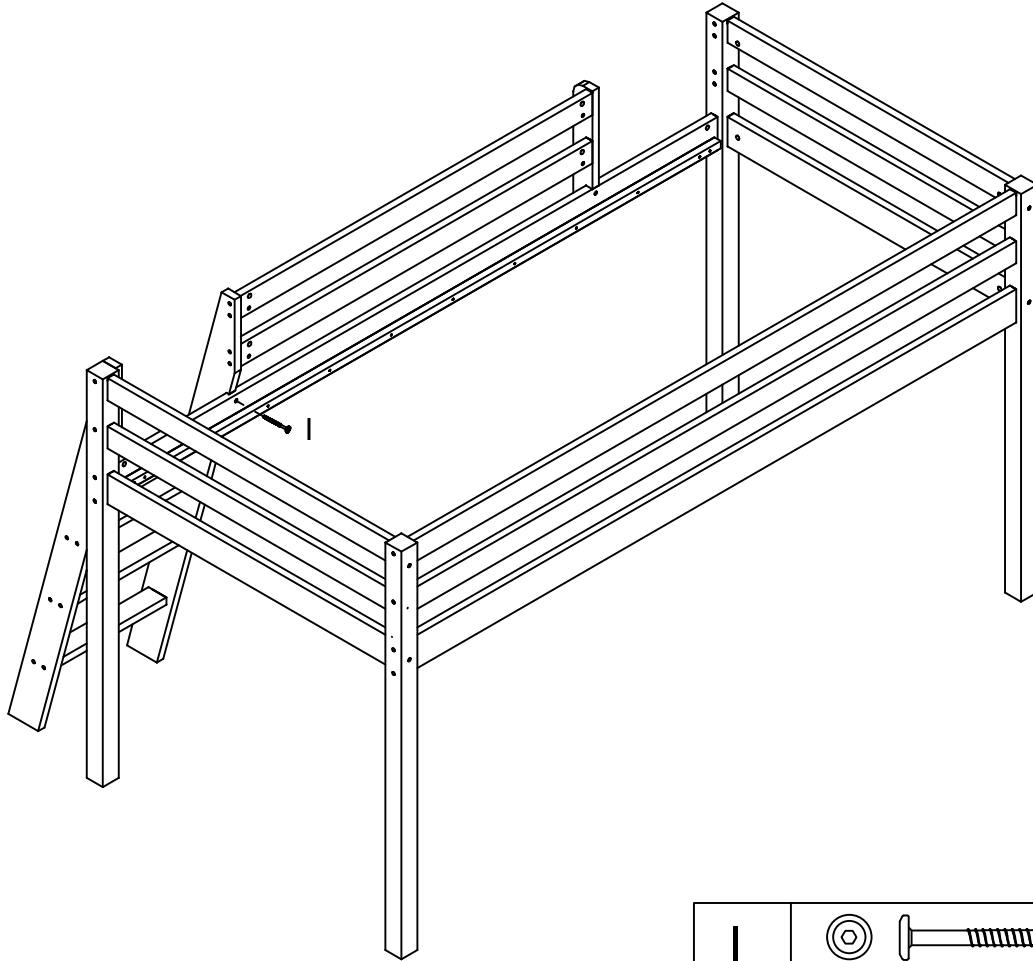
F	 Ø8x30mm	04
---	--	----


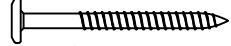
07



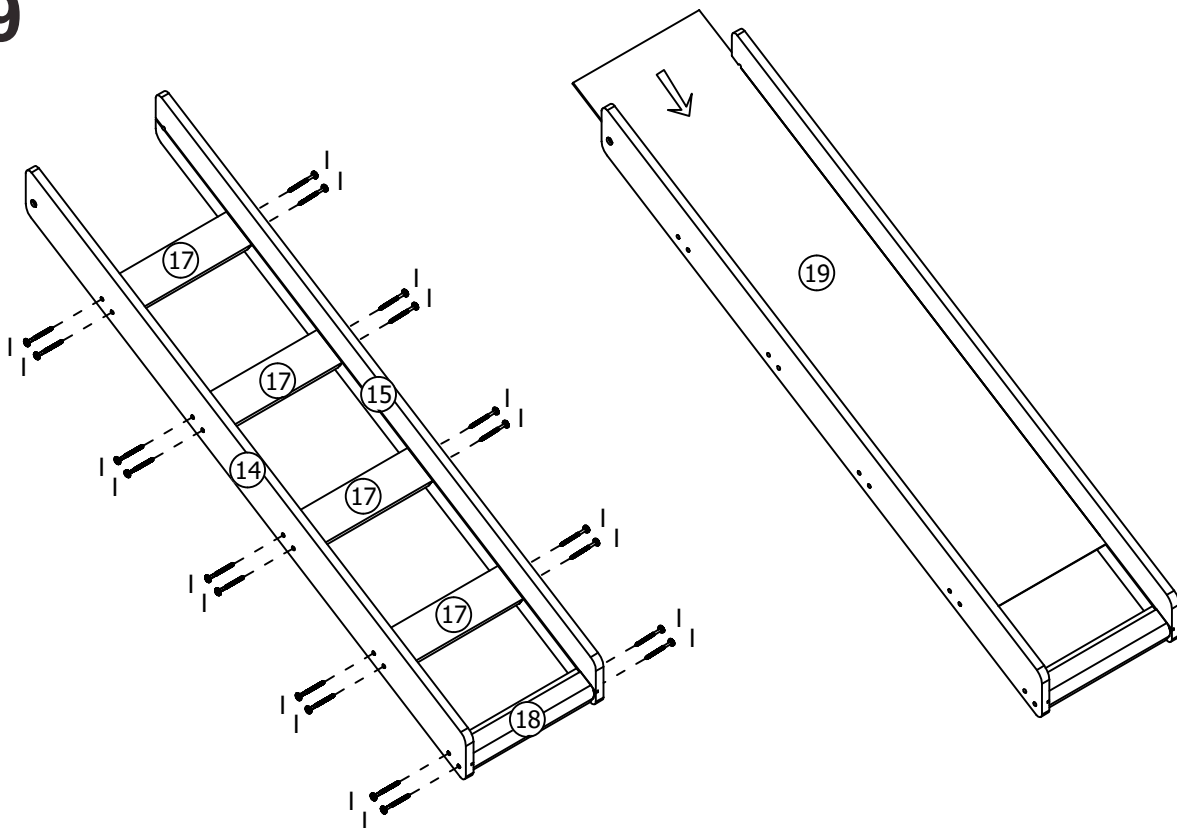
B		02
C	  15mm M6x70mm	02
E	  15mm	02


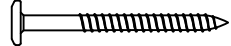
08



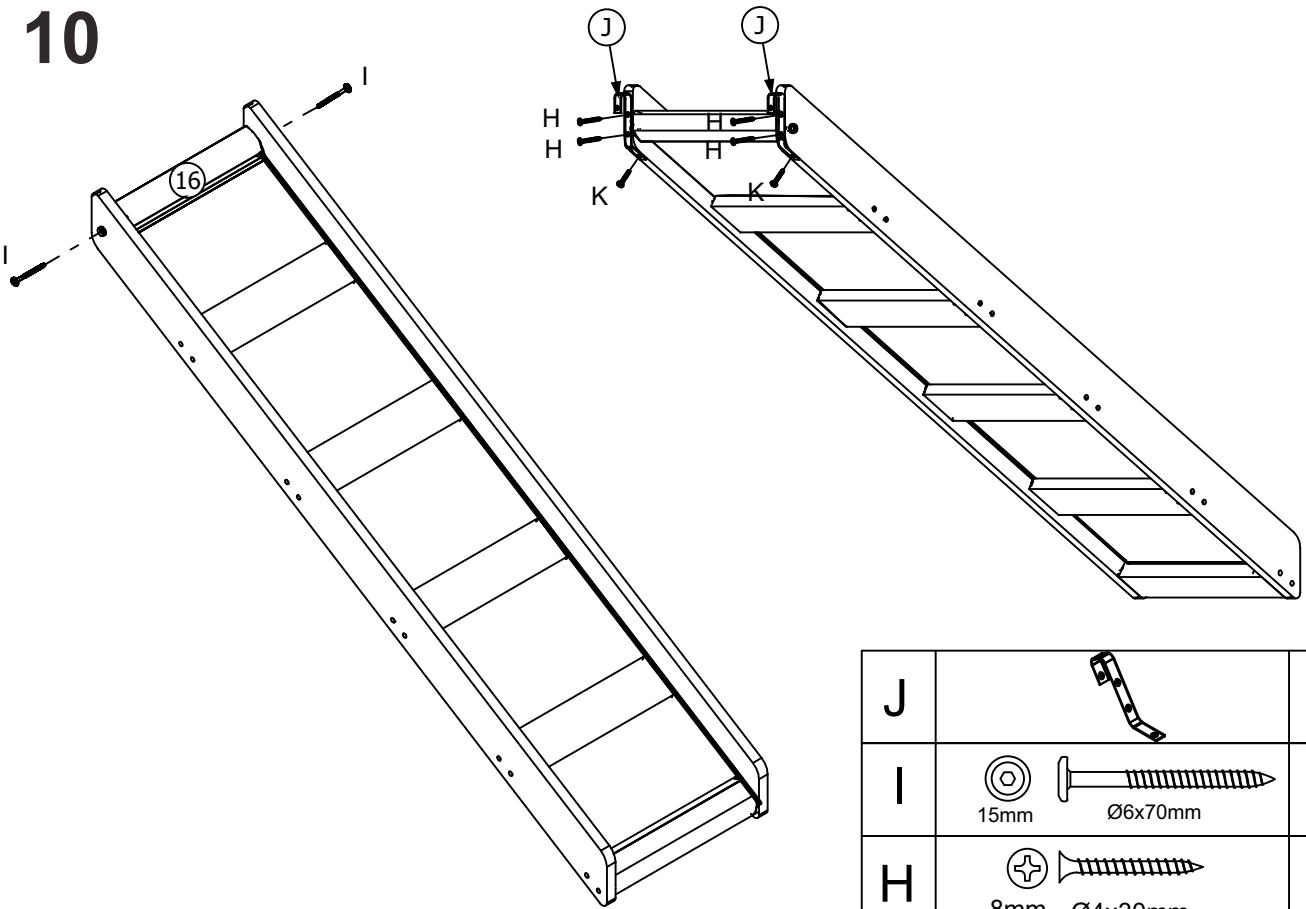
I	 15mm	 Ø6x70mm	35
---	---	--	----


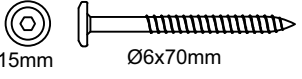
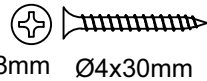
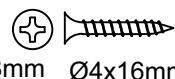
09



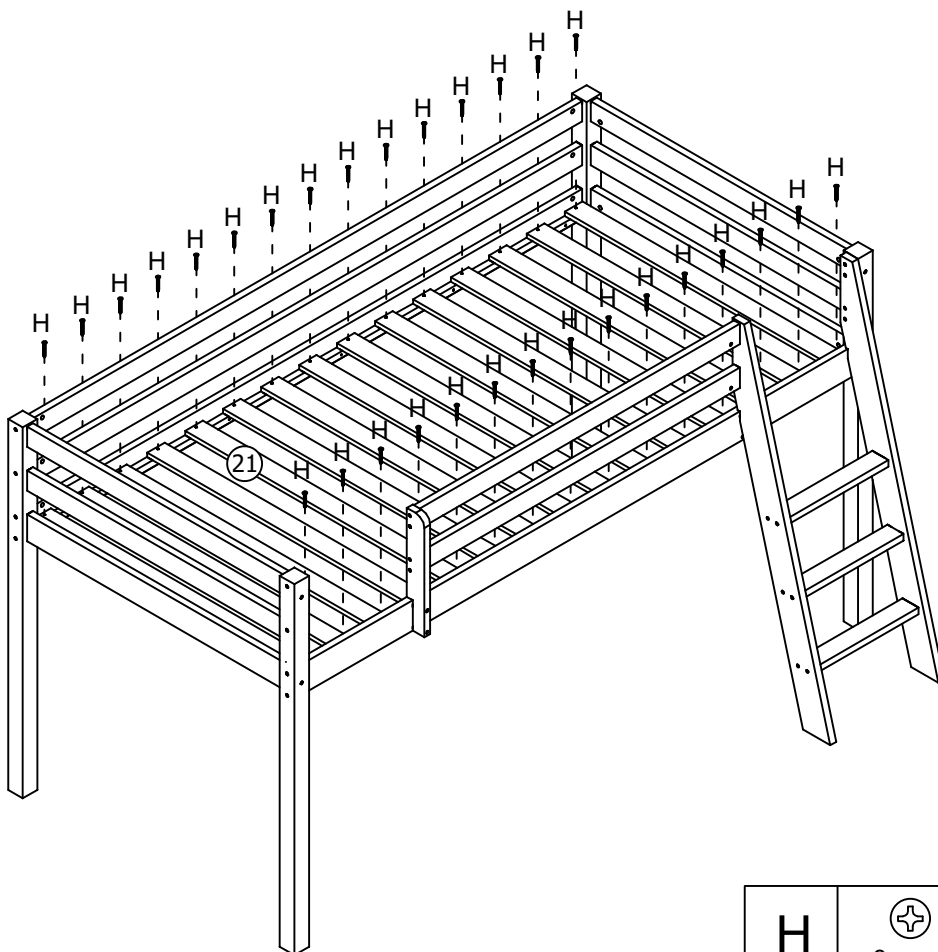
I	 15mm	 Ø6x70mm	20
---	---	--	----

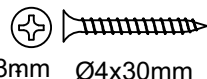
10



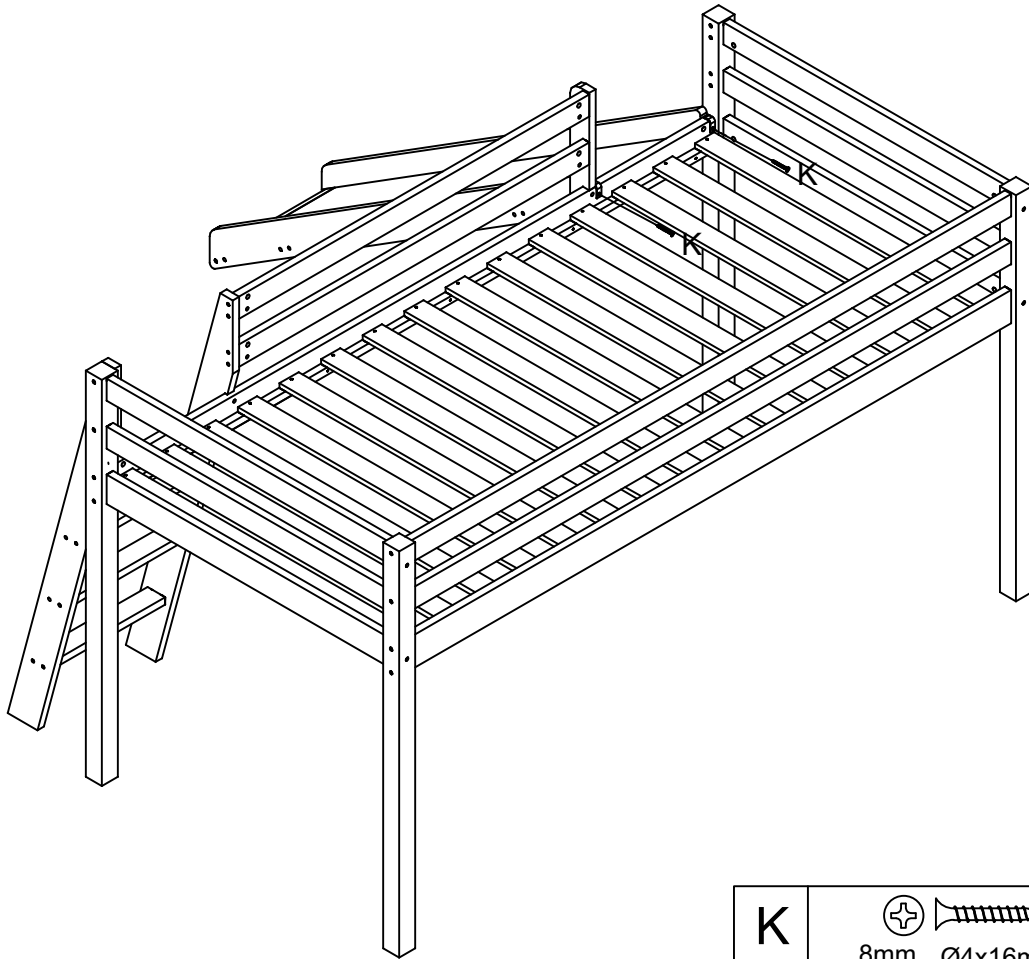
J		02
I		35
H		04
K		02

11

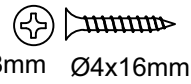


H		36
---	---	----

12



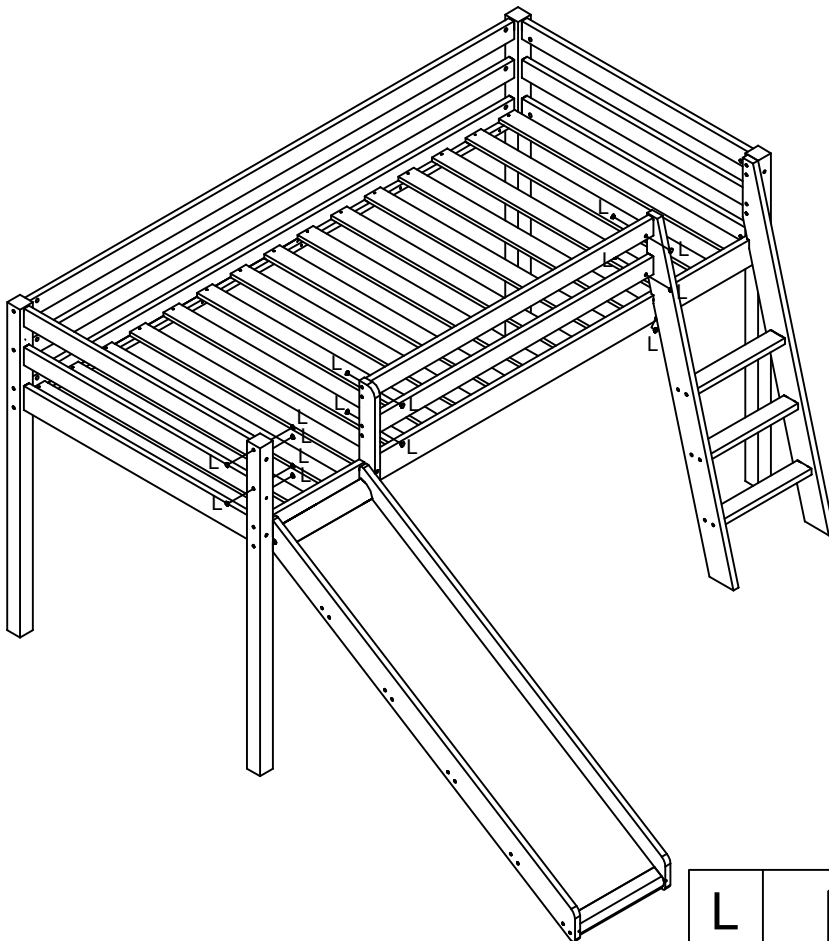
K



8mm Ø4x16mm

02

13



L



Ø8mm

16

